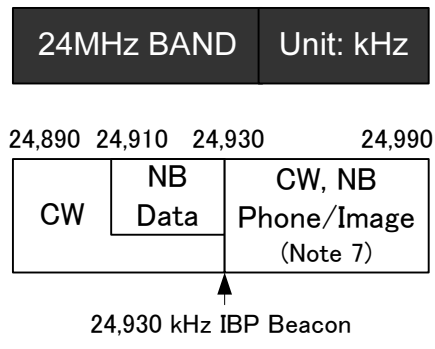
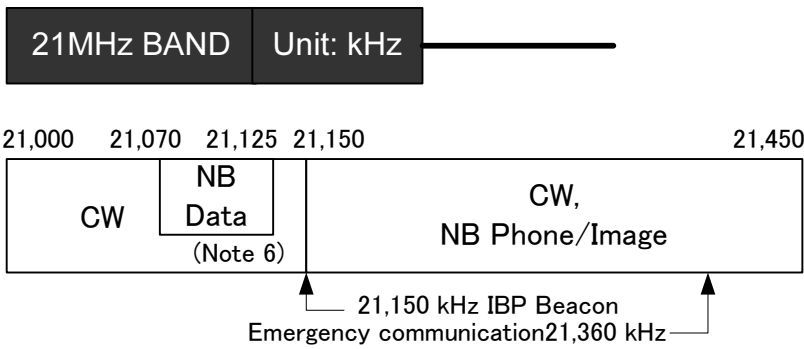
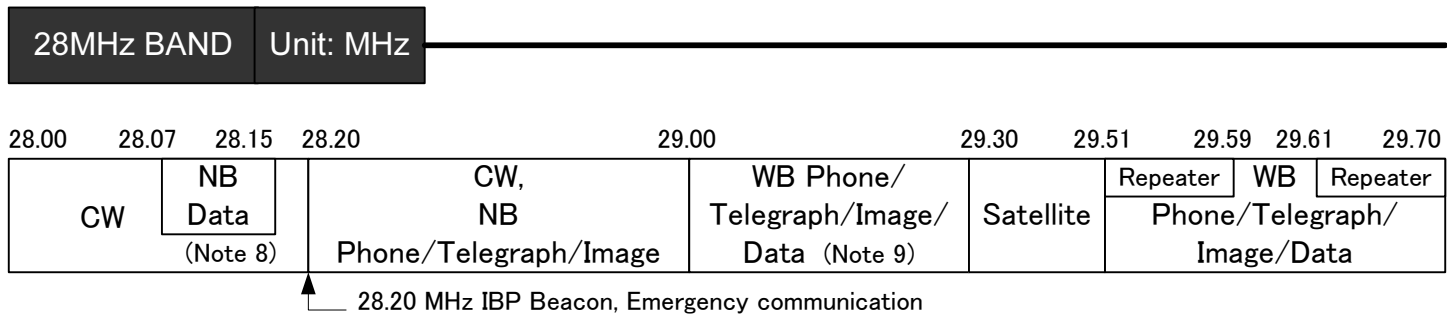


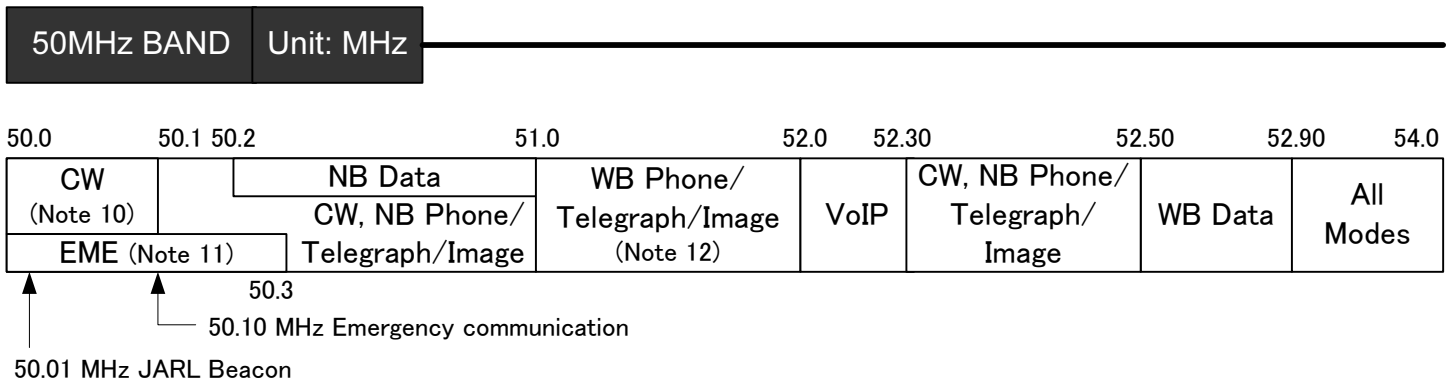
Note 4: 14,112 kHz to 14,150 kHz segment may be used for NB Data communication with overseas stations.
 Note 5: 18,090 kHz to 18,100 kHz and 18,110 kHz to 18,120 kHz segments may be used for NB Data communication with overseas stations.



Note 6: 21,125 kHz to 21,150 kHz segment may be used for NB Data communication with overseas stations.
 Note 7: 24,930 kHz to 24,940 kHz segment may be used for NB Data communication with overseas stations.

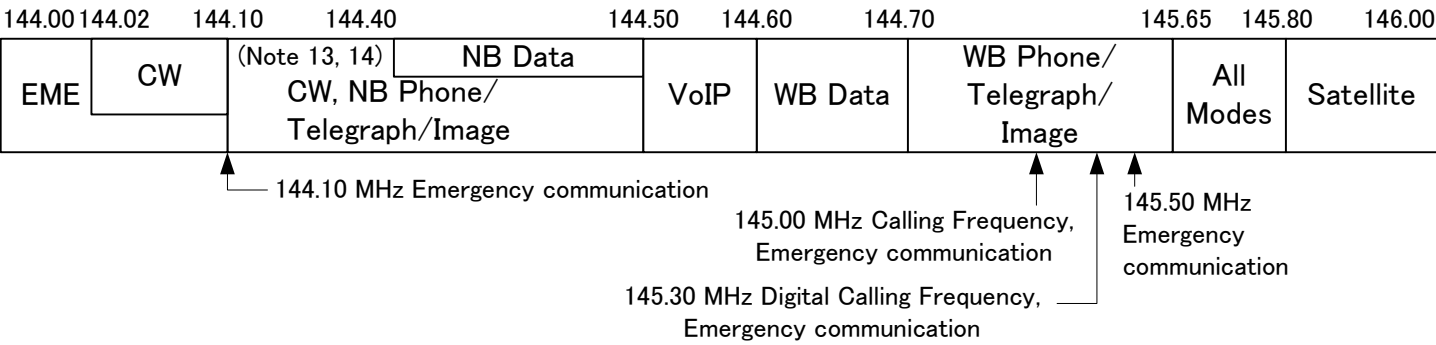


Note 8: 28.15 MHz to 28.20 MHz segment may be used for NB Data communication with overseas stations.
 Note 9: 29.00 MHz to 29.30 MHz segment may be used for CW, NB Phone/Telegraph/Image/Data communication with overseas stations.



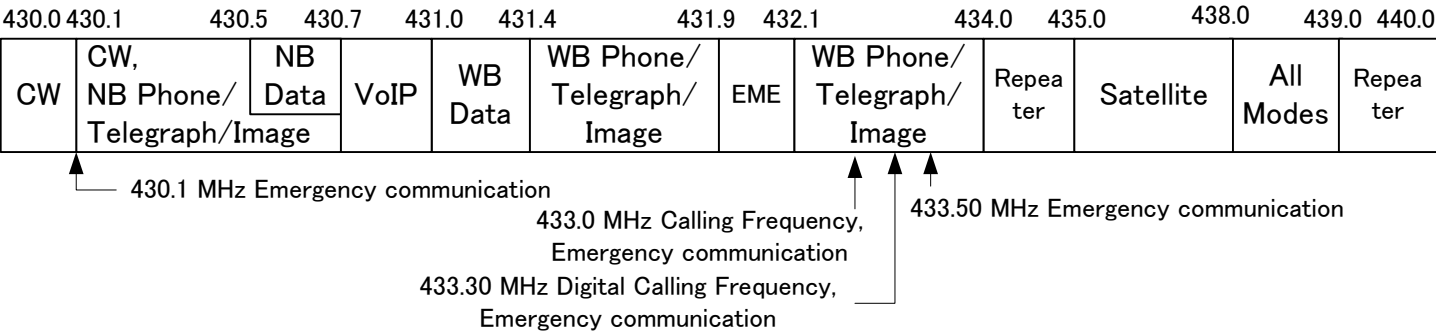
Note 10: 50.0 MHz to 50.1 MHz segment may be used for NB Data communication with overseas stations.
 Note 11: 50.0 MHz to 50.2 MHz segment may be used for NB Data communication by EME.
 Note 12: 51.0 MHz to 51.5 MHz segment may be used for CW, NB Phone/Telegraph/Image/Data communication with overseas stations.

144MHz BAND Unit: MHz

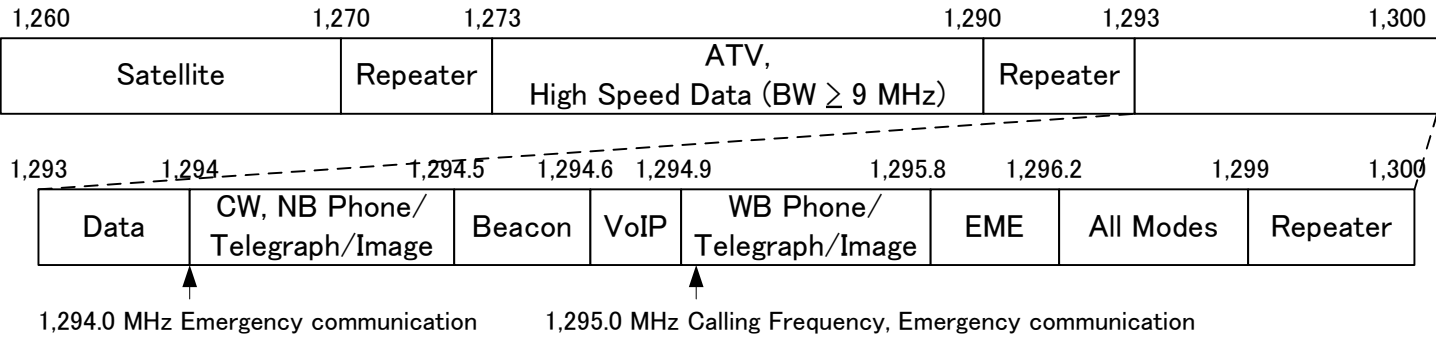


Note 13: 144.10 MHz to 144.20 MHz segment may be used for NB EME communication with overseas stations.
 Note 14: 144.30 MHz to 144.50 MHz segment may be used for WB Phone/Telegraph/Image communications with International Space Station (ISS).

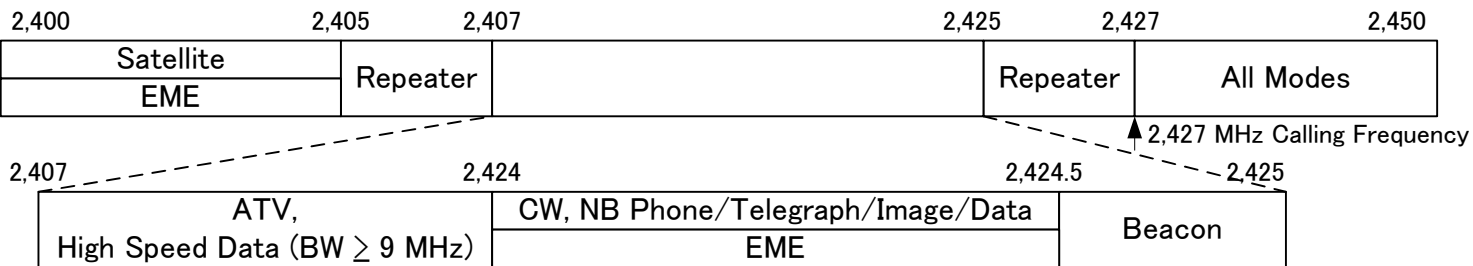
430MHz BAND Unit: MHz



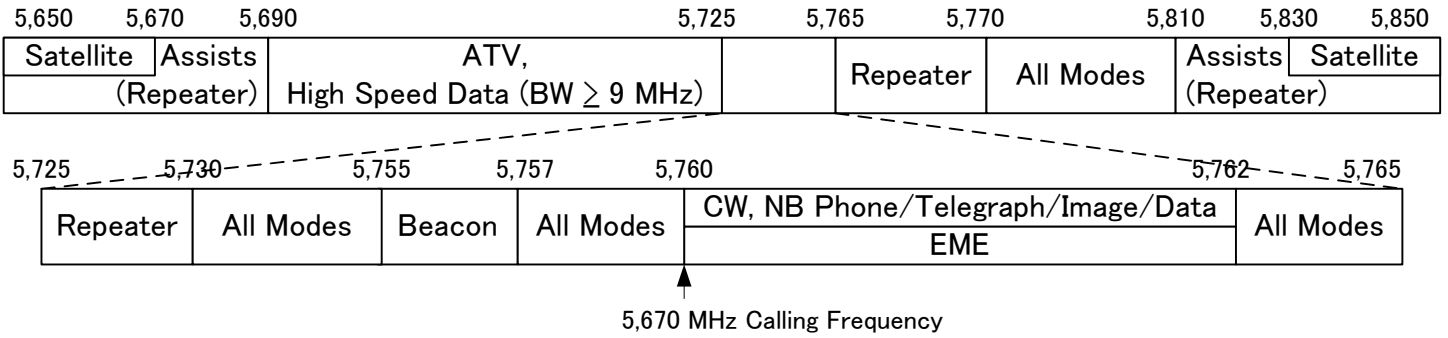
1,200MHz BAND Unit: MHz



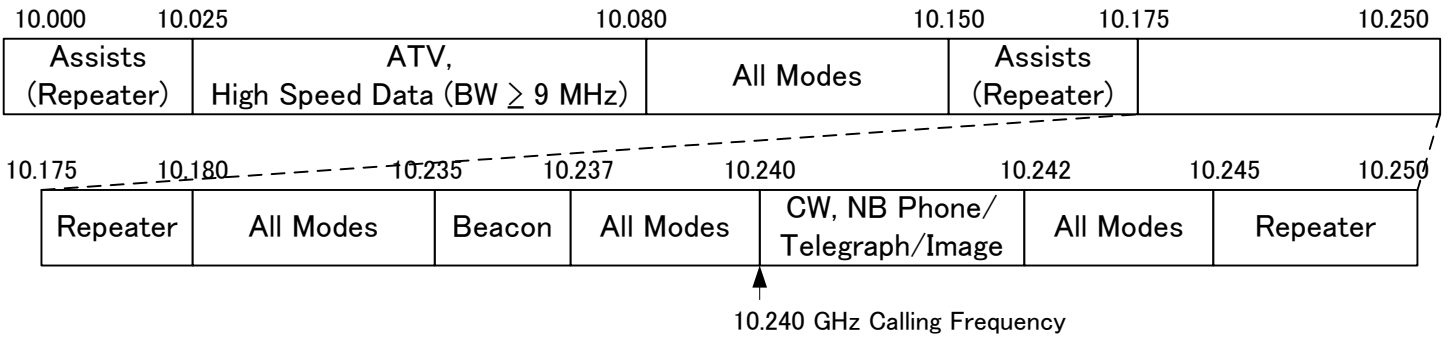
2,400MHz BAND Unit: MHz



5,600MHz BAND Unit: MHz



10.1GHz BAND Unit: GHz



10.4GHz BAND Unit: GHz

