

- ◇ This cloning software is designed to perform data entry, settings, and cloning for the IC-F8101 HF TRANSCEIVER.
- ◇ The CS-F8101 has a Help file to describe functions and operation.

■ System requirements

To use this cloning software, the following computer system and cables are required:

PC

- Microsoft® Windows® 8 (32/64 bit)*
- Microsoft® Windows® 7 (32/64 bit)
- Microsoft® Windows Vista® (32/64 bit)
- Microsoft® Windows® XP (32 bit)
- * Except for Microsoft® Windows® RT.
- A USB 1.1 or 2.0 port

Others

- A USB cable (A-B type, purchase separately)

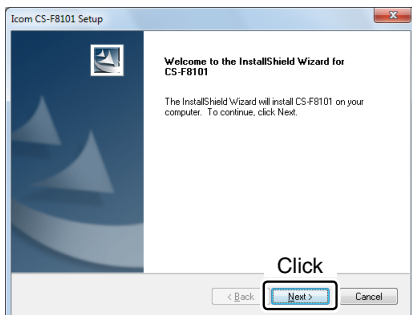
NOTE:

- These instructions are based on using Microsoft® Windows® 7.
- Before connecting a USB cable, you must install the USB driver included in the CD. See the USB driver installation guide included in the CD for details.

■ Software installation

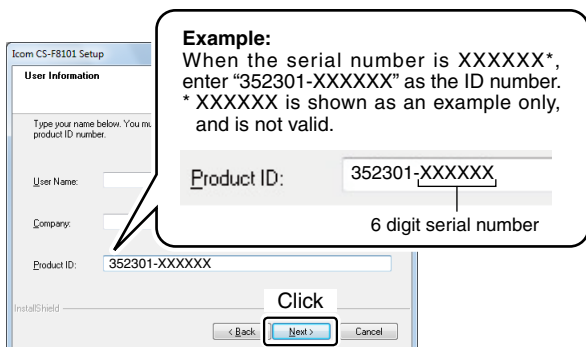
When installing the software, log on as the **administrator**.

- ① Make sure Windows has completed its start-up, and no other applications are running.
- ② Insert the CD into a CD drive.
- ③ Double-click the “setup.exe” contained in the CD.
 - If “User Account Control” appears, click [Yes] to continue.
- ④ “Welcome to the InstallShield Wizard for CS-F8101” appears, and then click [Next>].

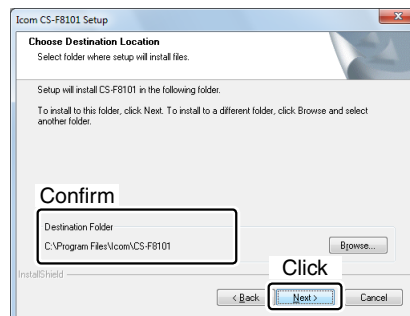


- ⑤ “User Information” appears, and then enter your name (Optional), your company name (Optional) and the product ID number in the following manner.
 - Product ID number: 352301-(6 digit serial number)
 Then click [Next >].

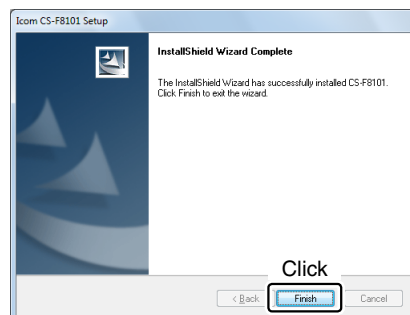
Please check the serial number on the CD. If you downloaded the software, enter the ID that was provided by your distributor.



- ⑥ “Choose Destination Location” appears, and then click [Next>].
 - If desired, click [Browse...] to select another destination folder before clicking [Next >].



- ⑦ After the installation is completed, “InstallShield Wizard Complete” appears, and then click [Finish].

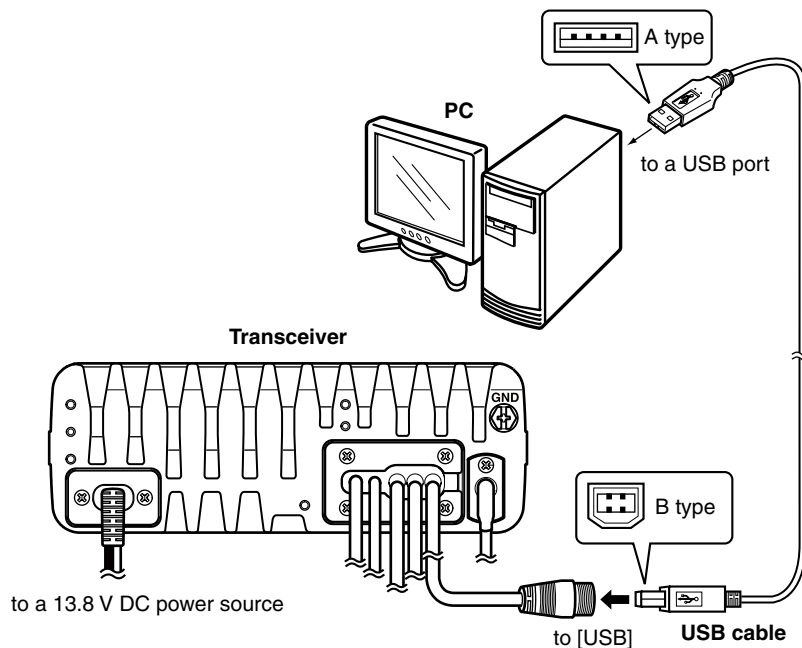


- ⑧ Eject the CD.
- ⑨ A program group ‘CS-F8101’ appears in the ‘Icom’ folder on the program menu, and a ‘CS-F8101’ shortcut icon appears on the desktop.
 - You can uninstall the cloning software using “Uninstall a program” in the Windows Control Panel.

■ Connection


All cloning operations are performed from the PC's keyboard.
Make sure the transceiver power is OFF.

- ① Connect the transceiver and a PC with a USB cable (purchase separately), as illustrated below.
- ② Push [⏻] on the transceiver to turn ON the power.



NOTE: After turning ON the power, the memory channels are sorted in a numeric and alphabetic order which differs from that of the channel names programmed in the cloning software. To display the channels in the same order as the cloning software, you should program the names as "01 Alphabetic name" and "02 Alphabetic name."

■ Programming information

- To avoid data loss, you should download all the transceiver's data before entering or editing parameters using the cloning software, even when the transceiver is factory fresh.
Click , or click [Clone] in the top menu of the cloning software, and then select "Read <- TR" to start downloading.
- While downloading or uploading cloning data, **NEVER** turn OFF the transceiver or the PC, and **NEVER** disconnect the USB cable or connection cables. Otherwise, the data could be lost or deleted.
- Click [Model] in the top menu of the cloning software to select the model type which you are going to clone.

Please refer to the Help file of the cloning software for assistance with the functions or settings.
To open the Help file, click [Help] in the top menu of the cloning software and select "Contents," or simply push the [F1] key of the PC's keyboard.

Icom, Icom Inc. and the Icom logo are registered trademarks of Icom Incorporated (Japan) in Japan, the United States, the United Kingdom, Germany, France, Spain, Russia and/or other countries.
Microsoft, Windows and Windows Vista are registered trademarks of Microsoft Corporation in the United States and/or other countries.
All other products or brands are registered trademarks or trademarks of their respective holders.